

Comparative Slavic Syntax

EGG

John Frederick Bailyn
State University of New York

Case

CLASS 3: Case and Structure

•• All NPs (in all languages) must have **case** ••

1) Case Forms: (SC)

Nominative:	knjiga
Accusative:	knjigu
Genitive:	knjige
Dative:	knjizi
Locative:	knjizi
Instrumental:	knjigom

--The requirement that all NPs must have case is referred to as **The Case Filter**:

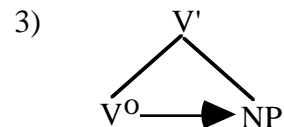
2) **The Case Filter: *NP if NP has phonetic form, and no case.**

I. Structural Case:

A. Accusative

- | | |
|------------------------------|-------------------------------|
| 2) a. John saw him . | *d. John saw he . |
| b. Chomsky likes me . | *e. Chomsky likes I . |
| c. Yeltsin knows us . | *f. Yeltsin knows we . |

This occurs in a certain configuration, as shown below:



Accusative case is assigned to the sister of V°

• Hypothesis: Case is assigned to complements

This rule for case-assignment is both too strong and too weak:

--It is too strong because not all heads can assign case to their complements (nouns and adjectives in English do not, for example). It is too weak because many NPs successfully get case without being a complement, especially **subjects**.

B. Nominative

Question: What assigns case to subjects, or, what assigns Nominative case?

Consider the following examples:

- 4) a. Everyone hopes that **he** is recovering well.

- b. Everyone hopes for **him** to recover well.
 *c. Everyone hopes **he** to recover well.
 *d. Everyone hopes **him** to recover well.
- 5) a. Everyone hopes that **Yeltsin** is recovering well.
 b. Everyone hopes for **Yeltsin** to recover well.
 *c. Everyone hopes **Yeltsin** to recover well.
- 6) a. It seems [that **he** is a crazy man]
 b. **He** seems to be a crazy man.
 *c. It seems **he** to be a crazy man.
- 7) a. It seems [that **Lebed** is a crazy man]
 b. **Lebed** seems to be a crazy man.
 *c. It seems **Lebed** to be a crazy man.

Nominative case is assigned to SpecT when T⁰ is [+tns]

- Other languages mark case in different ways:

--with endings on everything inside NP itself (Russian)
 --on the DET element only (German)

8) RUSSIAN:

- | | | |
|--|---|--|
| a. Éto kniga.
this book-NOM
"This is a book." | b. Éto kukla
this doll-NOM
"This is a doll." | c. Éto Anja
this Anja-NOM
"This is Anja." |
|--|---|--|

- | | |
|--|---|
| 9) a. Maša čitaet knigu
Masha reads book-ACC
"Masha is reading a book." | b. Anja š'jet kuklu.
Anja sews doll-ACC
"Anja is sewing a doll." |
|--|---|

- | | |
|---|--|
| 10) *a. Maša čitaet kniga.
Masha reads book-NOM
"Masha is reading a book." | *b. Anja š'jet kukla.
Anja sews doll-NOM
"Anja is sewing a doll." |
|---|--|

- | | |
|--|---|
| 11) *a. Mašu čitaet knigu
Masha-ACC reads book
"Masha is reading a book." | b. Anju š'jet kuklu.
Anja-ACC sews doll
"Anja is sewing a doll." |
|--|---|

Theta-Roles:

- What is wrong with the strange (b) sentences below?

- 12) a. Honesty frightens Lebed.
 *b. Lebed frightens honesty.
- 13) a. Gorbachev writes fiction.
 *b. A piece of wood writes fiction.
- 14) a. There is trouble is the world..
 *b. There wrote a novel.

- 15) Fred wrote a novel. *write* V [__NP] or: <agent, theme>

agent, theme are **thematic-roles** or **θ-roles** ("theta-roles"). The basic **θ-roles** are:

Agent • Initiator, doer of action
 • must be capable of volition (desire) or deliberate action

Patient / theme • recipient of action
 • "victim" / "affected object"

Goal • Entity toward which motion takes place
 • motion may be concrete or abstract:

- 16) a. They went to **Siberia**.
 b. Gorby gave a reward to **Lebed**.

PASSIVE and CASE:

Passive constructions have the following characteristics:

- i) The verbal morphology is affected
- ii) The agent does not appear in subject position
- iii) The agent therefore does not receive nominative case
- iv) The surface subject is the underlying **object** of the verb
- v) Passive verbs do not assign case to their complements = **case absorption**

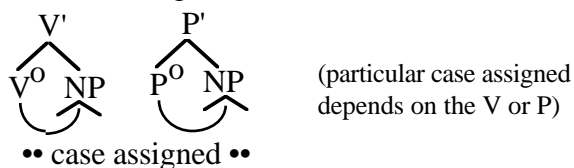
LEXICAL CASE:

17) Lexical case on arguments:

	<u>Prepositions</u>		<u>Verbs</u>	
a.	k to	Ivanu Ivan-Dat	b. zavidovat' to envy	Ivanu Ivan-Dat
c.	u at	Ivana Ivan-Gen	d. bojat'sja to fear	Ivana Ivan-Gen
e.	c with	Ivanom Ivan-Instr	f. interesovat'sja to be interested in	Ivanom Ivan-Instr

18) Lexical case violations : k *Ivane / *Ivana / *Ivanom
 to Ivan-**Prep** / Ivan-**Gen** / Ivan-**Instr**

19) Lexical case assignment

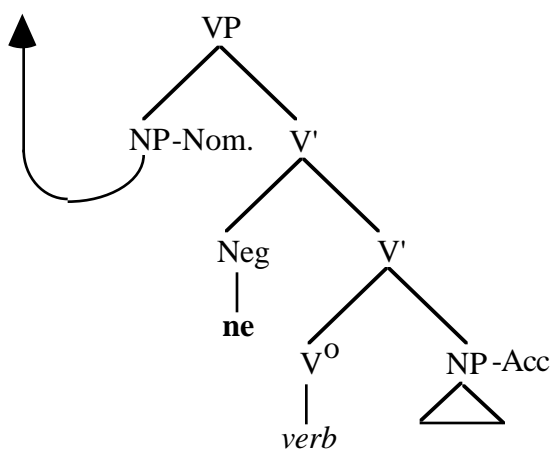


Genitive of Negation:

- 1) a. Maša polučila gazetu
 Masha-**NOM** received newspaper-**ACC**
- *b. Maša polučila gazete
 Masha-**NOM** received newspaper-**DAT**
- *c. Maša polučila gazety
 Masha-**NOM** received newspaper-**GEN**

- 2) *a. Mašu polučila gazetu
 Masha-ACC received newspaper-ACC
- *b. Mašu polučila gazeta
 Masha-ACC received newspaper-NOM
- 3) a. Maša dala gazetu malčiku.
 Masha-NOM gave newspaper-ACC boy-DAT
- *b. Maša dala gazetu malčika.
 Masha-NOM gave newspaper-ACC boy-ACC
- *c. Maša dala gazety malčiku.
 Masha-NOM gave newspaper-GEN boy-DAT
- 4) a. Maša ne polučila gazetu
 Masha-NOM neg received newspaper-ACC
- b. Maša ne polučila gazety
 Masha-NOM neg received newspaper-GEN
- 5) *a. Maši ne polučila gazetu
 Masha-GEN neg received newspaper-ACC
- *b. Maši ne polučila gazety
 Masha-GEN neg received newspaper-GEN

6) Structure for Gen of Neg:



- 7) a. Gazeta byla polučena (Mašej)
 newspaper-NOM was received (Masha-INSTR)
- *b. Byla polučena gazetu (Mašej)
 was received newspaper-ACC (Masha-INSTR)
- 9) a. Ni odna gazeta ne byla polučena.
 [not one newspaper]-NOM neg was received
- b. Ne bylo polučeno ni odnoj gazety.
 neg was received [not one newspaper]-GEN
- *c. Ne bylo polučeno ni odnu gazetu
 neg was received [not one newspaper]-ACC